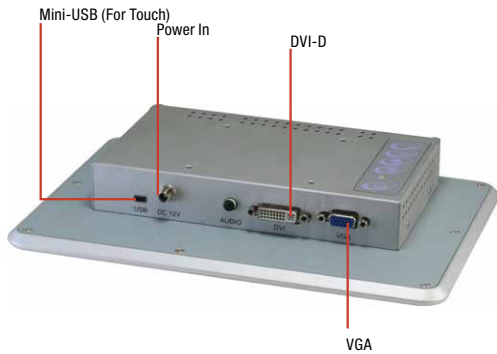
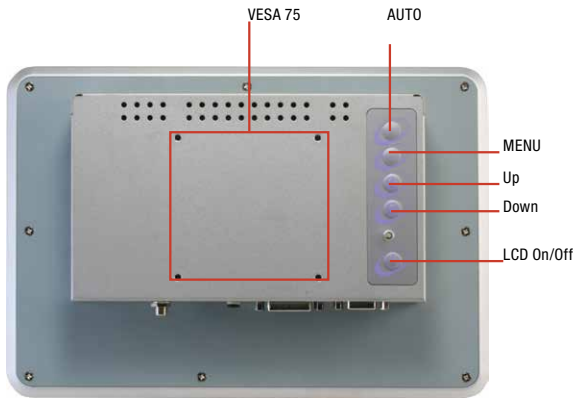


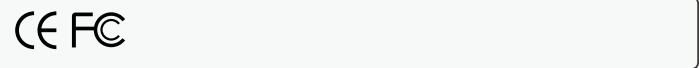
05 ACD-110D

10.1" WXGA Multi-Touch Display



Features

- 10.1" WXGA (1280 x 800) TFT LCD Display
- IP65 Aluminum Front Bezel
- P-CAP Multi-Touch Screen (2-point)
- VESA 75/ Panel Mount/ Stand

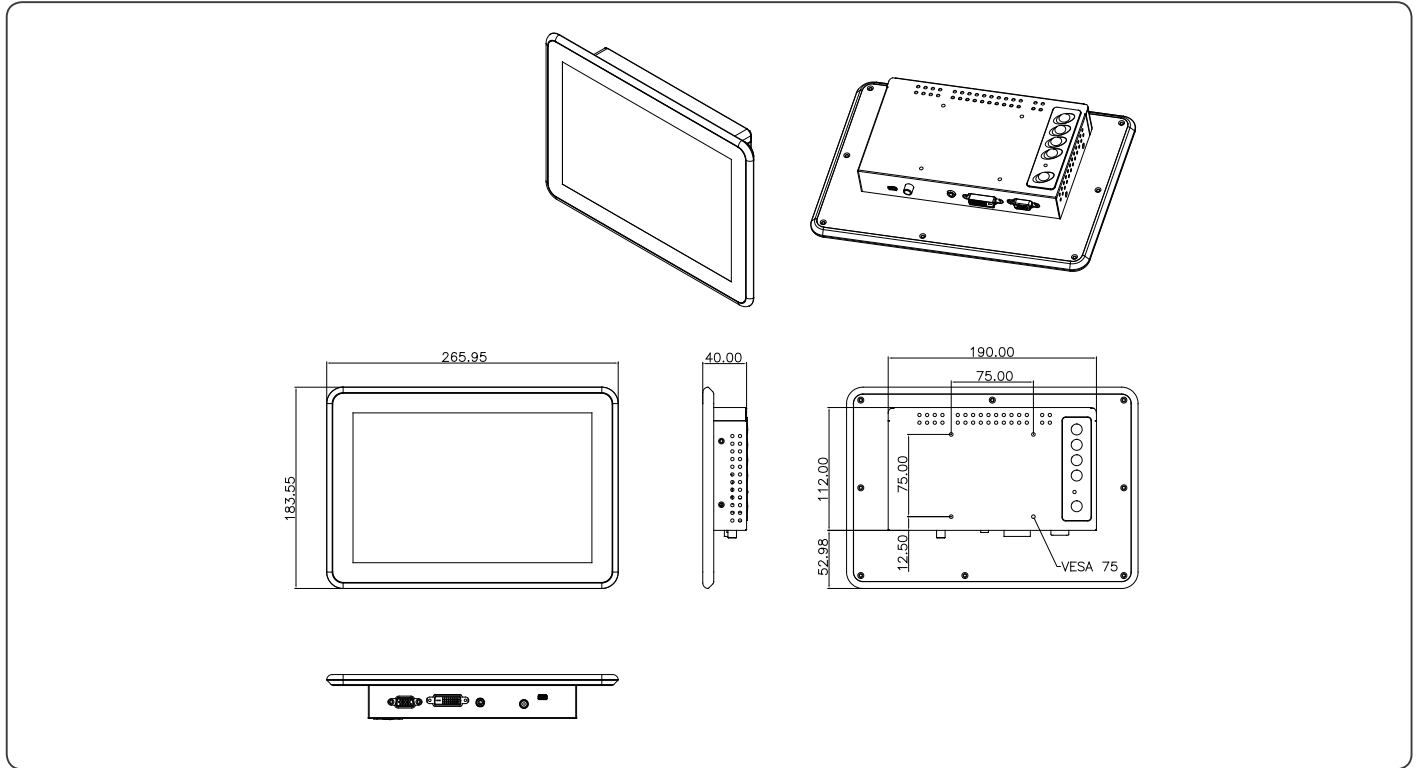


Specifications

System	
Input Signal	VGA, DVI-D
On Screen Display Control	Auto, Menu, Up, Down, LCD On/Off
I/O Connector	DB-15: VGA x 1 DVI-D x 1 Mini USB x 1 Power input x 1
OS support	Windows® XP 32 bit Windows® 7 32/64 bit Windows® 8 32/64 bit Linux Ubuntu 12.04
Mechanical	
Construction	IP65 aluminum front bezel & SGCC chassis
Mounting	VESA75/ Panel mount/ Stand
Dimension	9.97" x 6.72" x 1.57" (265.96mm x 183.56mm x 40mm)
Gross Weight	4.4 lb (2.6 kg)
Net Weight	2.64 lb (1.4 kg)
Environmental	
Operating Temperature	32°F ~ 113°F (0°C ~ 45°C) w/o airflow 32°F ~ 122°F (0°C ~ 50°C) w/ airflow
Storage Temperature	14°F ~ 140°F (-10°C ~ 60°C)
Storage Humidity	5%~90% @40°C, non-condensing
Vibration	1 Grms/ 5 ~ 500Hz/ operation – with HDD
Shock	15 G peak acceleration (11 msec. duration)
EMC	CE/FCC class A
Power Supply	
DC input	DC 12V with Lockable Power adapter
LCD	
Display type	10.1" TFT LCD
Max. Resolution	1280 x 800
Max. Colors	262K colors
Luminance	250 cd/m ²
Viewing Angle	160°(H)/ 160°(V)
Back Light	LED
Back Light MTBF (Hours)	20,000
Touch Screen	
Type	Projective capacitive multi-touch (2-point)
Light Transmission	86%

Dimension

Unit: mm



Ordering Information

Part Number	Display Type	Max. Resolution	Luminance	View Angle	Backlight MTBF (Hours)	Display	Mounting	Power	Temp.	Touch
ACD-110DHTT-A1-1010	10.1" TFT-LCD	1280 x 800	250 cd/m ²	160°(H)/ 160°(V)	20,000	VGA, DVI-D	VESA75/ Panel mount/ Stand	DC 12V	32°F ~ 113°F (0°C ~ 45°C) with airflow	Projected capacitive multi-touch (2-point)

Packing List

- **1255300607**
Power Adapter, DC 12V, 60W
- **1709051000**
Mini-USB to USB type A for Touch Screen
- **1700151806**
VGA Cable, 180 cm
- **Panel Mount Kit**
- **Product CD**
- **ACD-110D**

Optional Accessories

- **1702031802**
Power Cord (US)
- **1702031803**
Power Cord (EU)
- **170203180E**
Power Cord (Japan)
- **M041073020**
Stand Kit
- **1709051000**
Mini-USB to USB type A for Touch Screen